



## KIT PART NUMBER 6330088

### INSTRUCTIONS FOR INSTALLING AN EMI FILTER KIT

CHECK THE PARTS RECEIVED IN THE KIT WITH THE PARTS LIST IN THESE INSTRUCTIONS. IF ANY PARTS ARE MISSING, CONTACT THE NATIONAL VENDORS PARTS DEPARTMENT IMMEDIATELY.

Read these instructions carefully before installing the kit.  
Keep these instructions for part numbers and for future reference.

This kit contains the following:

PART NUMBER	DESCRIPTION	QUANTITY
6330089	INSTRUCTIONS - FILTER KIT 6330088	1
9989113	FILTER - POWER LINE - EMI	1
9989115	JUMPER - EMI FILTER	1
3157060	SCREW - #8-32 X .31 HEX W/HD. SLOTTED T.F-ZINC	2

#### **WARNING!**

*Lethal voltages are present. Be sure to remove power from the merchandiser before performing the following steps.*

1. Turn the main power switch OFF. Unplug the merchandiser.
2. Remove the power panel assembly retaining screw and lower the power panel to access the wire harnesses inside the power box.
3. Remove the power panel from the machine by disconnecting the power supply cord and the wire harnesses going to the cabinet.
4. Drill two 0.136" - 0.140" holes 2.5 inches apart, in the back of the power panel box in the approximate position as shown in figure 1. Mount the 9989113 EMI filter using the two 3157060 screws provided. Be certain the "LINE" end of the filter is positioned toward the supply cord entry hole as shown.
5. Connect the power supply cord to the "LINE" terminals and one end of the the 9989115 jumper to the "LOAD" side terminals as shown in figure 1. Make certain wire colors match those shown in figure 1.
6. Connect the brown and blue wires of the 9989115 jumper to the main switch on the power panel as shown in figure 2.
7. Reconnect the power panel harness to the main switch. Make certain wire colors match those shown in figure 2. Reconnect the cabinet harnesses to the power panel, reinstall the power panel into the power box and secure with the retaining screw.
8. Reconnect the power supply cord at the wall outlet and turn the main switch ON.

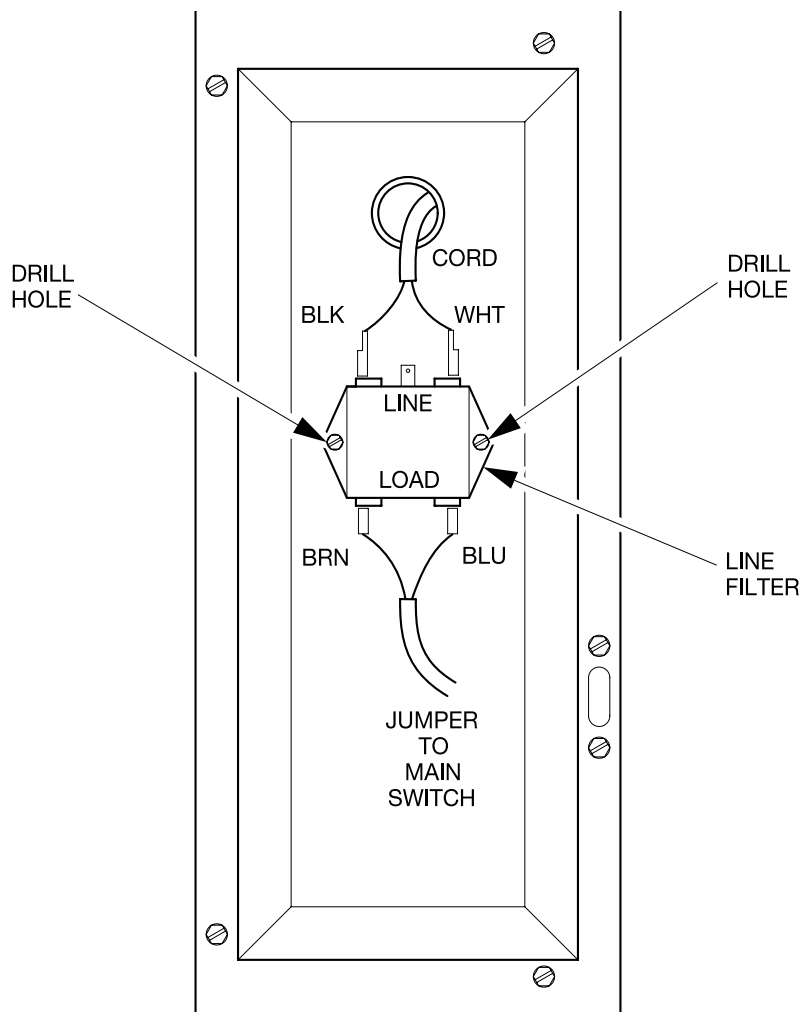


Figure 1

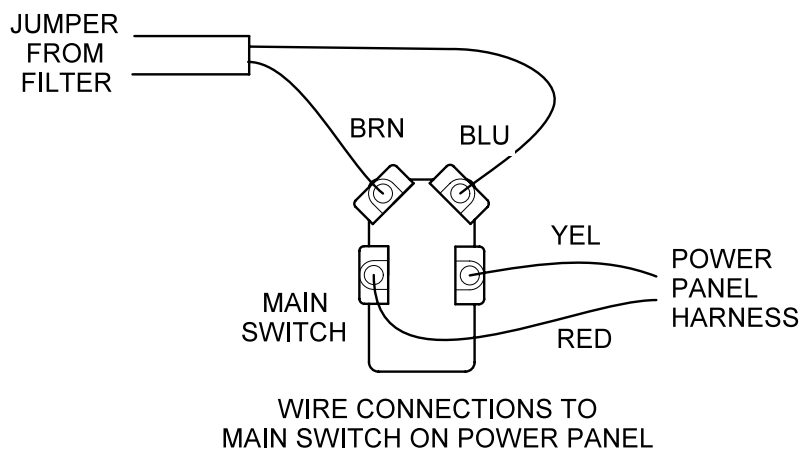


Figure 2